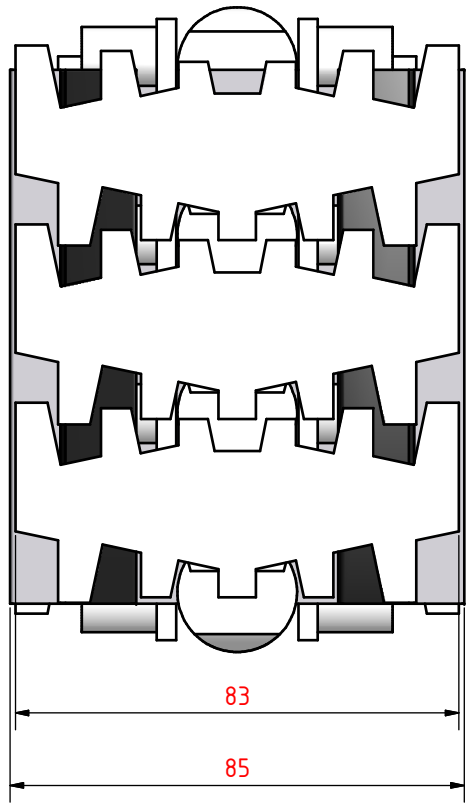
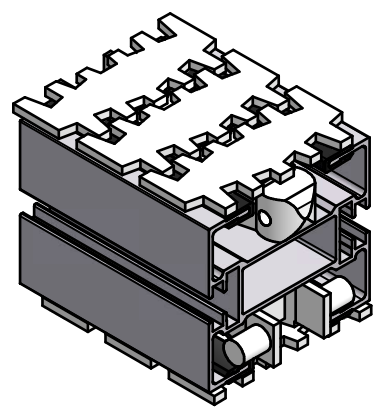
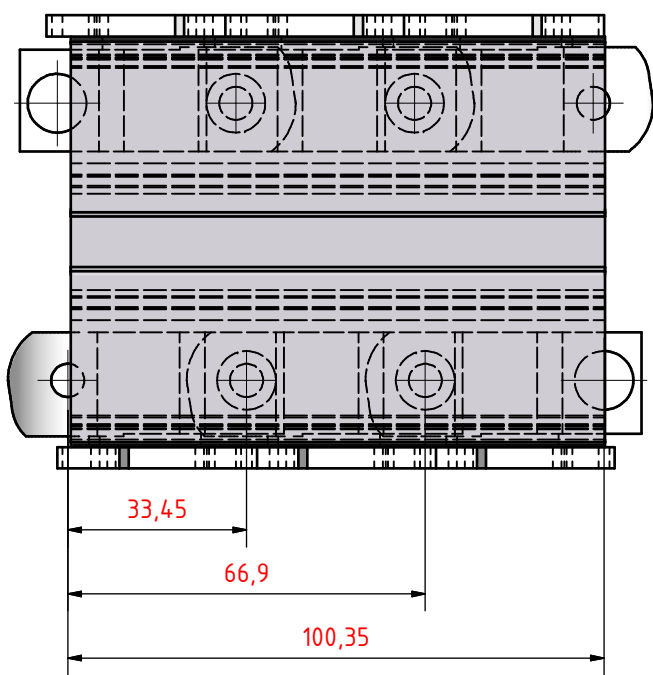
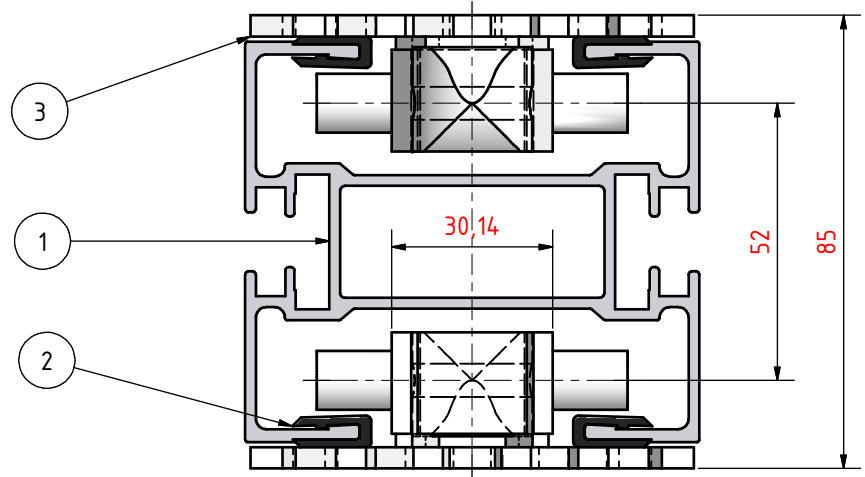


**E-M-M-A**  
 ECONOMICAL  
 MODULAR  
 MULTIFUNCTIONAL  
 AMH CONVEYOR



POZICE	KS	ČÍSLO SOUČÁSTI	POPIS
1	1	A08P-L	Conveyor beam A08
2	4	ASL-25-0	Plastic slide rail HDPE
3	6	A08CH	Plain link

Customer: ---  
 Project: ---  
 Quotation-Nr.: ---  
 Project-Nr.: ---



Name	Datum	Scale	Title: <b>E-M-M-A A08 - ZÁKLADNÍ ROZMĚRY</b> ČLÁNKOVÝ DOPRAVNÍKOVÝ SYSTÉM
Drawn: Flieger Jiří	3.8.2010		
Checked			
Approved			

CAD-Nr. Autodesk Inventor v.2010 or AutoCAD 2010	Drawing-Nr.	Format A3	Page-Nr.
---	-------------	--------------	----------

Non specified tolerance with reference to ČSN ISO 2768-1

This is an electronically generated technical drawing, which is valid without signature. All copyrights are in our possession. Drawing must not be copied, reproduced or transmitted to third parties without our permission. Abuse of copyright is subject to criminal prosecution.