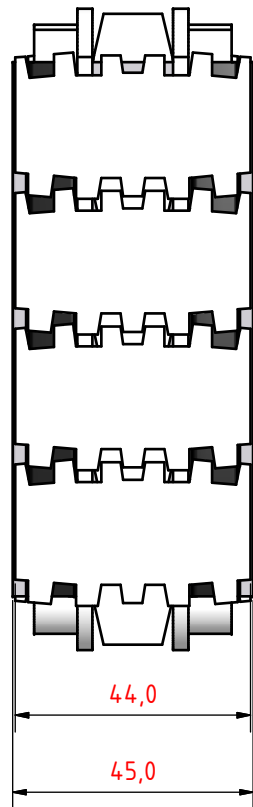
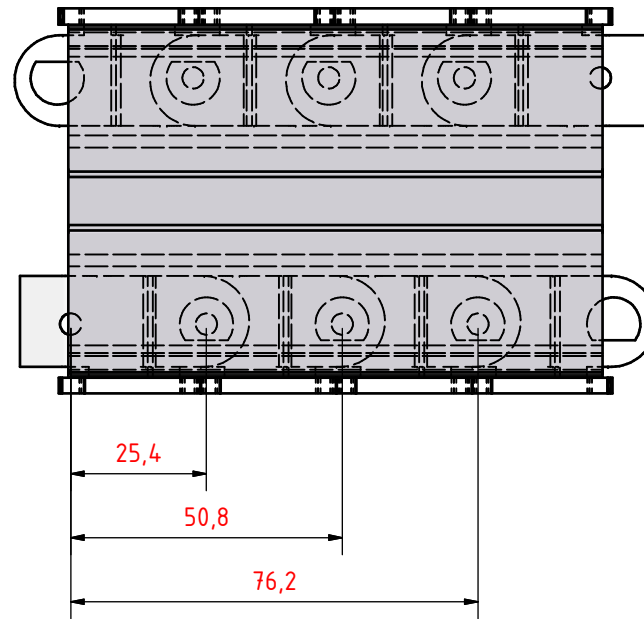
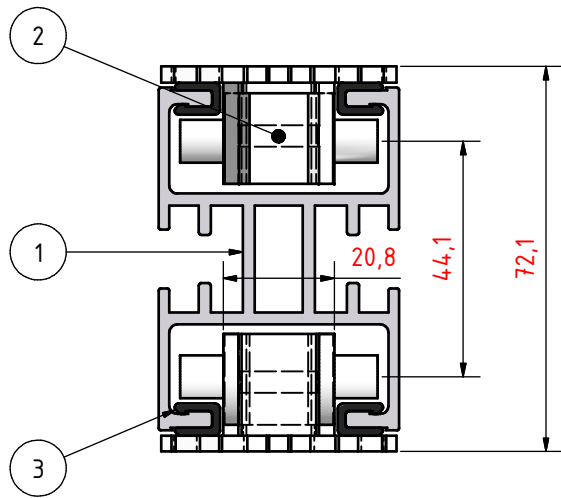
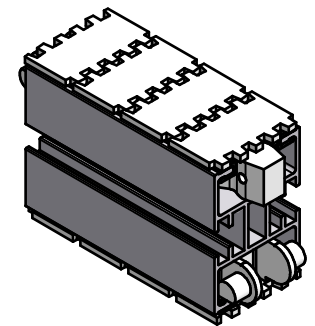


E-M-M-A

ECONOMICAL
MODULAR
MULTIFUNCTIONAL
AMH CONVEYOR



POZICE	KS	ČÍSLO SOUČÁSTI	POPIS
1	1	A04P-L	Conveyor beam A04
2	8	A04CH	Plain link
3	4	A04SL-50-0	Slide rail HDPE

Customer: ---
Project: ---
Quotation-Nr.: ---
Project-Nr.: ---



Name	Datum	Scale
Drawn: Flieger Jiří	6.10.2010	
Checked:		
Approved:		

Title:
E-M-M-A A04 - ZÁKLADNÍ ROZMĚRY
ČLÁNKOVÝ DOPRAVNÍKOVÝ SYSTÉM

CAD-Nr. Autodesk Inventor v.2010 or AutoCAD 2010	Drawing-Nr.	Format A3	Page-Nr.
---	-------------	--------------	----------

⚠ Non specified tolerance with reference to ČSN ISO 2768-1

This is an electronically generated technical drawing, which is valid without signature. All copyrights are in our possession. Drawing must not be copied, reproduced or transmitted to third parties without our permission. Abuse of copyright is subject to criminal prosecution.